

## PRODUCT DATA – PD2 Insulated Personnel Door

### SPECIFICATIONS

The LoTemp insulated personnel door is designed for light to medium duty applications, involving personnel foot traffic and light duty cartage. The energy efficiency of these doors is a perfect application for use in lieu of traditional wood, steel, or composite doors.

### STANDARD FEATURES

- Standard sizes of 36" x 84" and 48" x 84.
- No wood construction.
- Variety of 24 ga. metal finishes
- .040 aluminum finish
- Heavy duty HDPE structural frame
- 1.75" thick door panel
- Foam in place polyurethane core
- Perimeter jamb mount compression gasket
- Adjustable sweep gasket

### HARDWARE

- Three stainless steel butt hinges (Hager #1101)
- Stainless steel lockset (Hager #3600 lever style)

### AVAILABLE FINISHES

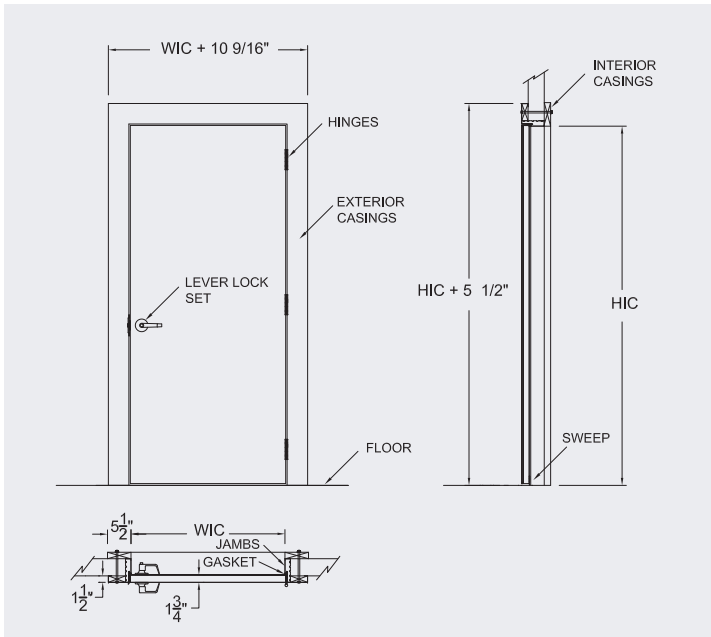
- 24 ga. Stainless steel, smooth/embossed, 304#4
- 24 ga. SaniSteel, smooth, white
- 24 ga. Galvanized, smooth/embossed, white
- 24 ga. Galvanized, smooth, mill
- .040 Aluminum, smooth/embossed, white
- .040 Aluminum, smooth, mill



### OPTIONS

- Door closer (Hager #5200)
- Panic bar (Hager #4701)
- Vision panels (14" x 14", 14" x 24")
- Heated vision panels
- Kick plates

## DRAWINGS & SPECIFICATIONS – PD2 Insulated Personnel Door



Storage Doors | Section 08 38 00

### Part 1 – General

#### 1.0.1 Scope

Work required under this section shall include the furnishing of all labor, materials, tools, and equipment necessary to complete all work as detailed on the drawings and/or as specified herein.

#### 1.0.2 Product

Supply, where indicated on the plans, a LoTemp PD2 (insulated in fitting personnel door). Door panel shall be constructed of PVC profile with steel corner brackets and clad with a choice of metal skins. The frame provides a full perimeter thermal break. Door panel shall contain at least 1.75" of foamed-in-place polyurethane insulation (R16). Casings shall be metal clad HDPE. Door jamb shall be a PVC profile providing a thermal break. Back up casings shall be metal clad HDPE. Door will come pre-mounted on three butt hinges. All hardware and mechanisms shall be corrosion resistant materials.

#### 1.0.3 Substitutions

This specification is written with LoTemp PD2 as the basis of acceptable materials, construction and performance. No substitutions will be considered unless written request for approval is received in the architect's office at least 14 days prior to the release of the bids.

#### 1.0.4 Submittals

In compliance with the specification requirements, submit detailed shop drawings for each door, showing in clear detail all mounting requirements and accessories.

#### 1.0.5 Quality Assurance

Doors shall be installed in accordance with the architect's plans and specifications and the door manufacturer's written installation instructions, drawings and recommendations. Doors shall carry a 1-year warranty on the door panel, door frame, trim, vertical casings and header and a 1-year limited warranty on all other LoTemp Door manufactured components with the exception of typical wear components. LoTemp Door also warrants all products or component parts not manufactured by LoTemp Door to the same extent that they were warranted by the original manufacturer to LoTemp Door.

### Part 2 – Product

#### 2.0.1 Material

##### Casings/Header/Jamb/Back-ups

Casings, header and back-ups shall be metal clad HDPE. The door jamb shall be PVC profile providing an integrated thermal break. Door leaves come pre-mounted to jambs.

##### Door Panel

Frame shall be a PVC profile with mitered corners, steel corner brackets and clad with two USDA approved 24-gauge steel or .040 aluminum face sheets. (Smooth white and stainless-steel face sheets are optional). Back up blocking is used at all hinges, latch, handle, closer and lock attachment points. The panel is foamed in place with at least 1.75" of polyurethane insulation (R16). Gasketing shall be jamb mounted compression gasket around the full perimeter of the opening and a panel mounted adjustable sweep gasket. All hardware and mechanisms shall be corrosion resistant materials. No organics such as wood or wood composites shall be used for the door panel structure or blocking.

##### Hinges

Hinges shall be Hager butt hinges. Lockset shall be Hager 3600 lever style. (Hager 5200 Series door closer is optional. Hager 4701 panic hardware is optional)

### Part 3 – Execution

#### 3.0.1 Installation

Doors shall be mounted in full accord with the door manufacturer's installation instructions and contract documents. When mounting the door casings, the mounting surfaces shall be set true and level, be shimmed and caulked to assure tightness and fit, securely lagged or through bolted to the wall structure. After the doors are hung, they shall be checked for mechanical operation and adjusted to insure a tight and uniform perimeter gasket seal.

#### 3.0.2 Product, Delivery, Storage and Handling

Each cold storage door shall be securely crated to protect the door from damage during shipment and handling. Door identification number shall be clearly marked on the outside of each crate.

#### 3.0.3 Cleaning and Adjustment

Clean all doors of excess grease, stains, fingerprints and construction dust prior to final inspection to the satisfaction of the architect/owner. Adjust all doors for smooth, proper operating condition, including proper sealing and lubrication, prior to turnover of facility to owner.