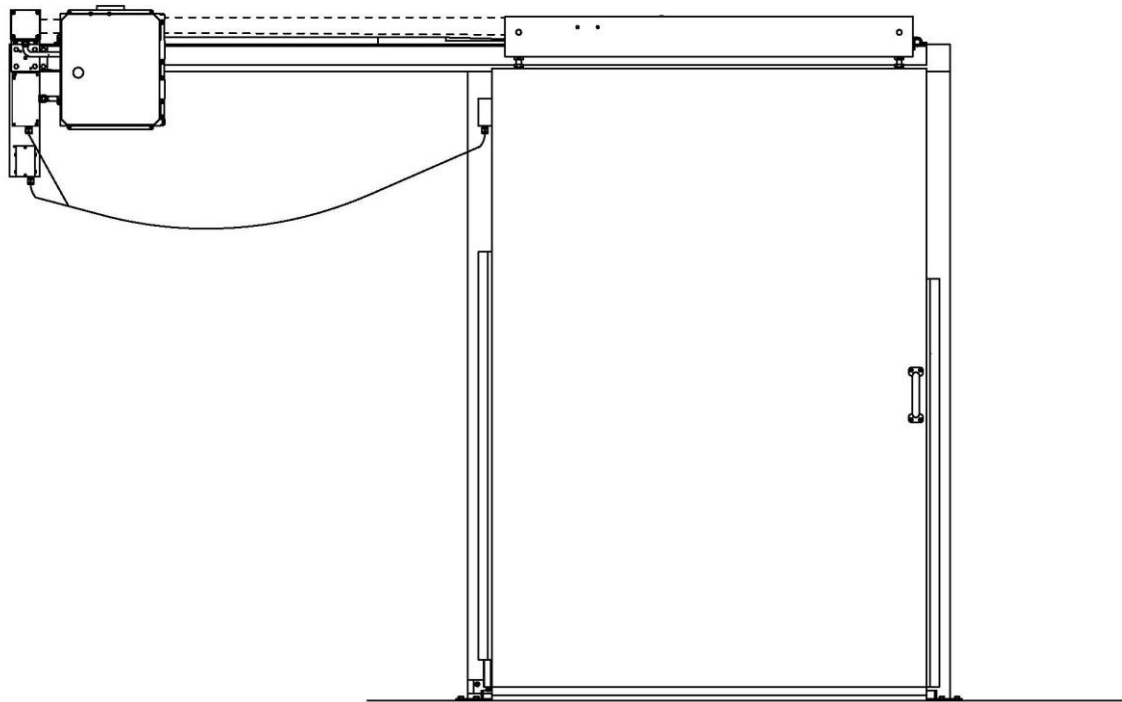


## Installation Manual For Lidl Power Operated Cold Storage Door



Left side shown

For Model :

**SHE – Single Horizontal Electric**

Revised: 10 October 2022

---

# IMPORTANT

---

THIS DOOR ASSEMBLY HAS BEEN CUSTOM DESIGNED AND MANUFACTURED FOR THIS OPENING. REVIEW INSTALLATION INSTRUCTIONS THOROUGHLY **BEFORE** INSTALLING DOOR UNIT.

**DO NOT ATTEMPT TO  
ALTER, CUT, MODIFY, REMOVE,  
DIS-ASSEMBLE AND RE-ASSEMBLE  
OR RE-MANUFACTURE  
ANY COMPONENT  
FROM IT'S ORIGINAL FACTORY CONDITION!**

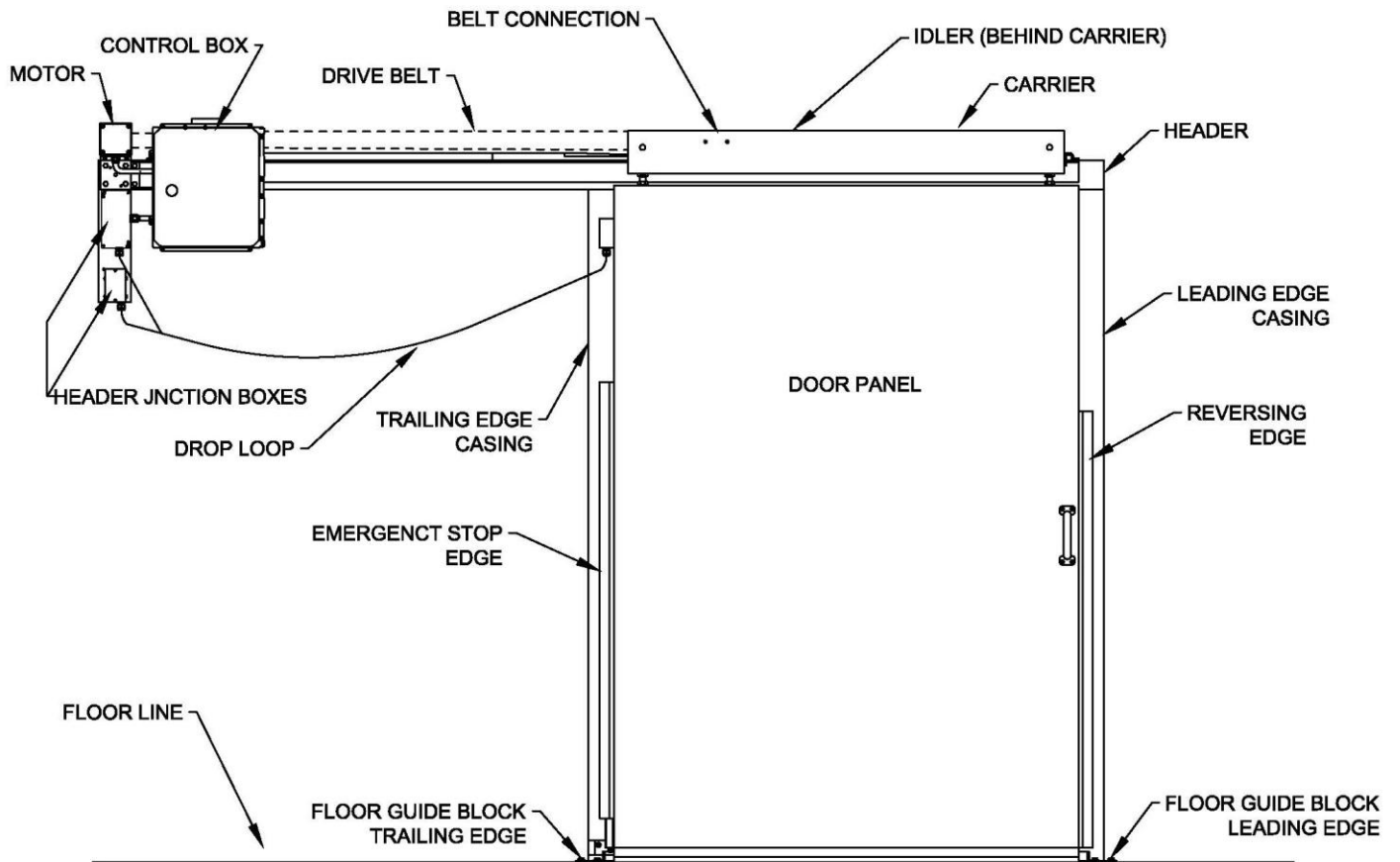
**ANY MODIFICATION TO THIS DOOR ASSEMBLY  
WILL VOID THE WARRANTY IN IT'S ENTIRETY!**

# Table of Contents

<b>INTRODUCTION</b>	1		
GENERAL ARRANGEMENT	2	<b>SECTION 9- <u>NOT USED</u></b>	
		MOTION DETECTOR INSTALLATION	14
<b>SECTION 1</b>			
HEADER AND VERTICAL CASINGS INSTALLATION	3	<b>SECTION 10</b>	
		PUSH BUTTON INSTALLATION	15
<b>SECTION 2</b>			
HANGING THE DOOR PANEL	5	<b>SECTION 11</b>	
		CONDENSER SHUT OFF CONNECTION	6
<b>SECTION 3</b>			
DOOR BOTTOM SEAL ADJUSTMENT	6	<b>SECTION 12</b>	
		ELECTRICAL OPERATOR WIRING AND START UP	17
<b>SECTION 4</b>			
FLOOR GUIDE – DOOR SEAL ADJUSTMENT	7	<b>SECTION 13</b>	
		DOOR OPERATING & SAFETY FUNCTIONS	20
<b>SECTION 5</b>			
BELT ENGAGEMENT	9	<b>SECTION 14</b>	
		FAULT CODES (FRONT PANEL LIGHT)	21
<b>SECTION 6</b>			
ACTIVATION DEVICE LAYOUT	10	<b>SECTION 15</b>	
		TROUBLE SHOOTING	22
<b>SECTION 7</b>			
HEADER JUNCTION BOX WIRING	11		
<b>SECTION 8</b>			
PULL CORD INSTALLATION & WIRING	12		

---

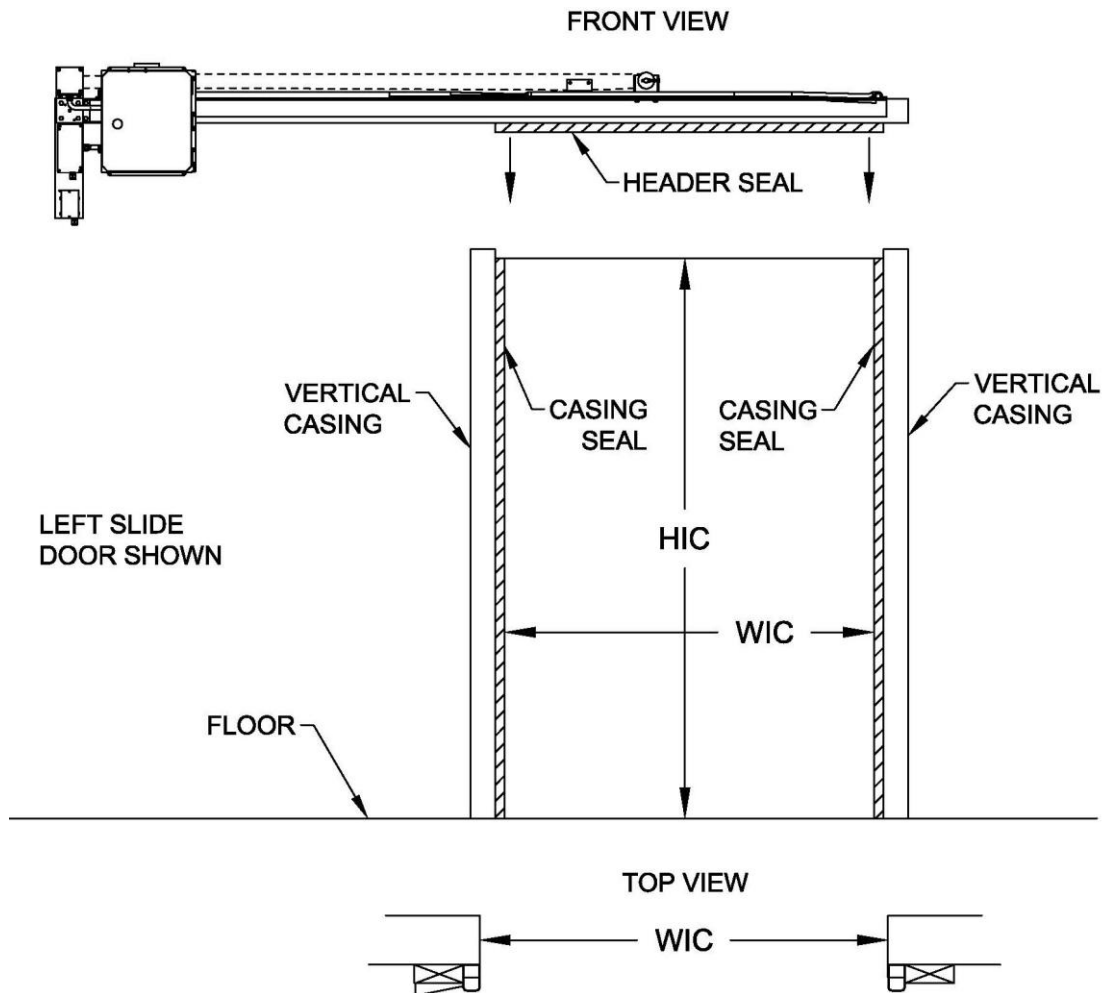
The following are general arrangement illustrations to aid you with device locations and terminology. Left slide door shown.



## SECTION 1

### HEADER & VERTICAL CASINGS INSTALLATION

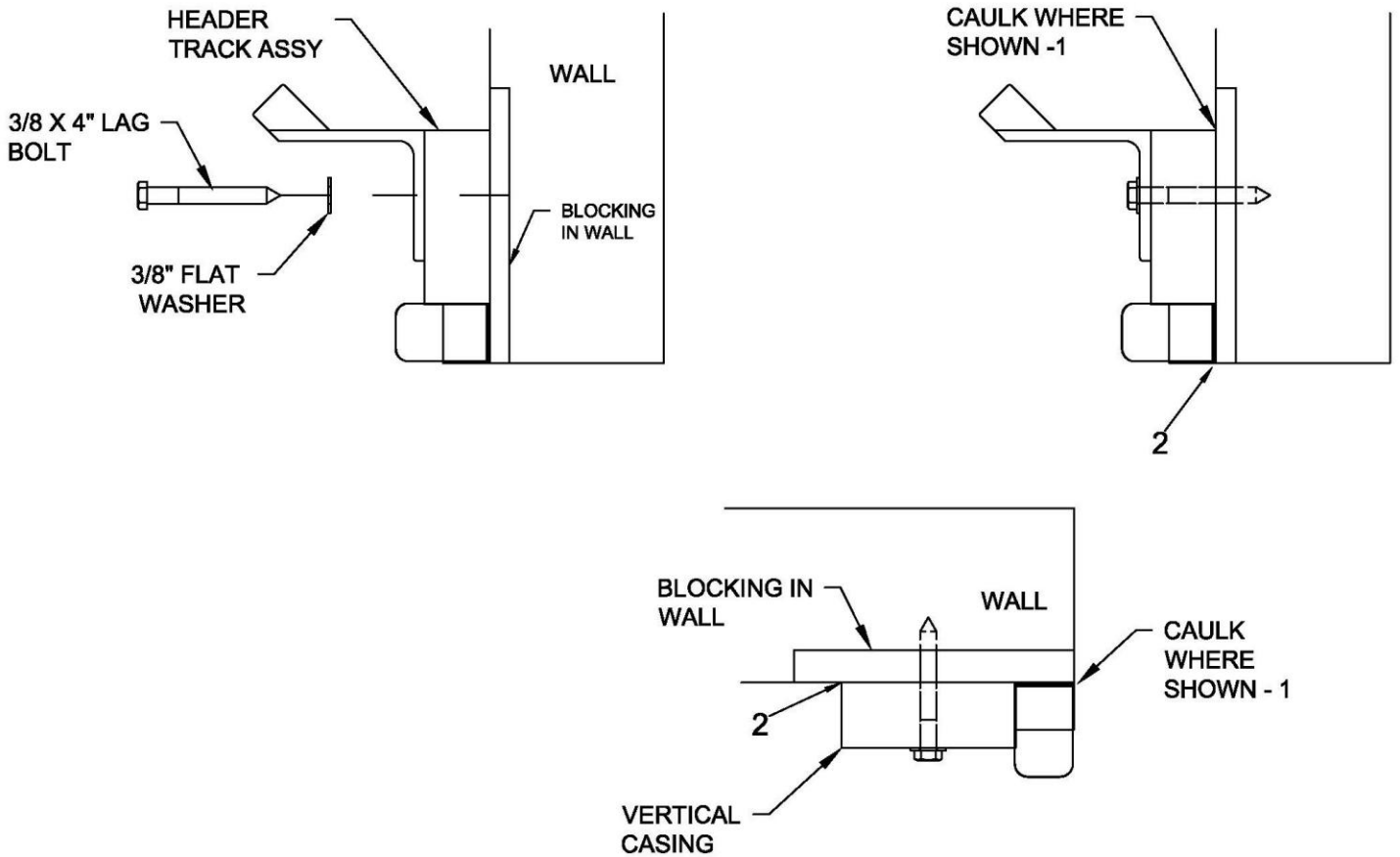
Install entire header on top of vertical casings using fasteners through holes provided in header casing. Tighten all fasteners on casings and header. Re-check to see that complete assembly is plumb and level.



# SINGLE AND DOUBLE HORIZONTAL SLIDE

Fasten to wall as shown.

NOTE: additional hole in header beside motor must be used.



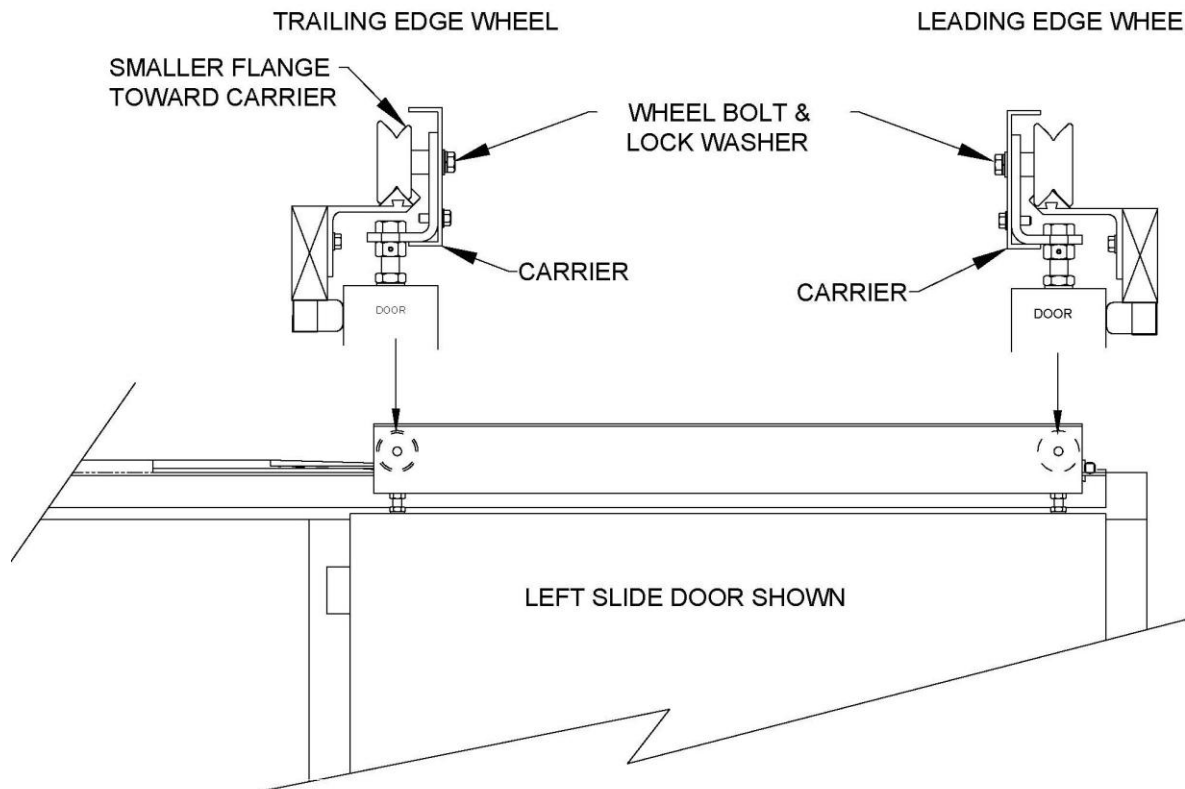
Use sealant to provide vapor seal between header, casings and wall. Compliance with above is essential to ensure proper contact between door and gaskets. Seal and attach securely

## SECTION 2

### HANGING THE DOOR PANEL

To hang the door position the door panel so the wheels are at the track ramps. These are located at the top of the track, where the carrier wheels would rest if the door is in the closed position. Once the door is located in front of the closed position remove the wheels from the carrier by removing the wheel bolt and lock washer

**NOTE:** The leading and trailing edge wheels are not the same and MUST be placed back in the same location as they were when shipped.



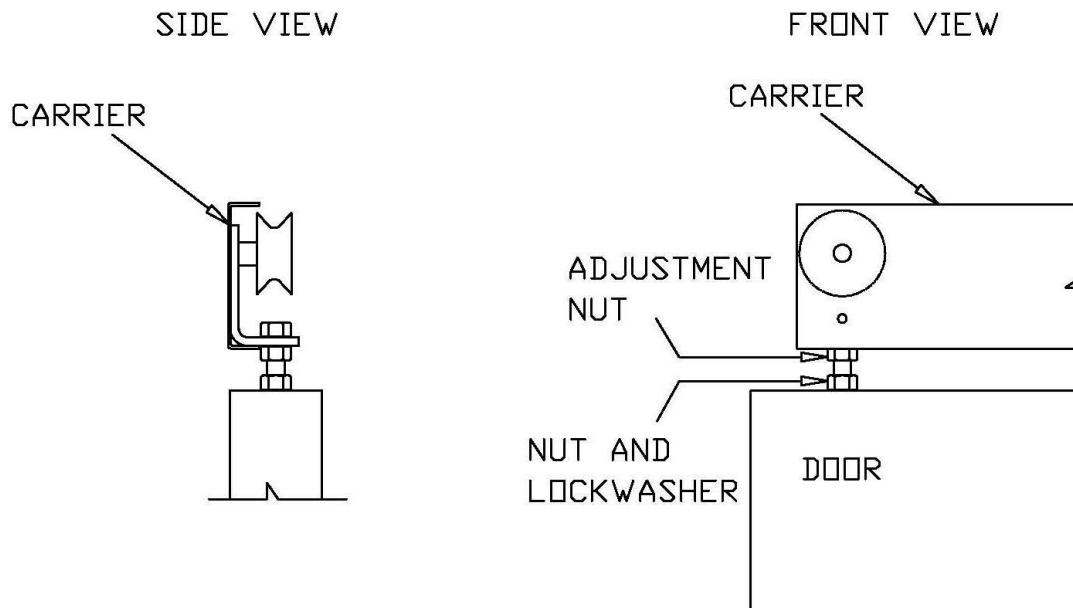
Once the wheels are removed from the carrier, move the door toward the header and re-install the wheels. **Make sure that the wheel bolts are tight.** The illustration shows the door with the leading and trailing edge wheels installed on the track correctly.

Once the door is hung, slide the door back and forth to the open and closed positions to ensure that they are free from obstructions and there are no obstructions. **Also ensure that the wheels drop down the wheel ramps.**

SECTION 3

DOOR BOTTOM SEAL ADJUSTMENT

The bottom seal should just contact the floor with a slight crush or bend to seal. To achieve this loosen the lower nut. Rotate the adjustment nut right to lower or left to raise the door. Once the door is at the required level tighten the lower nut. Proceed with the next adjustment screw adjustment if necessary, making sure that the leading edge of the door panel is plumb and perpendicular to the header when finished..



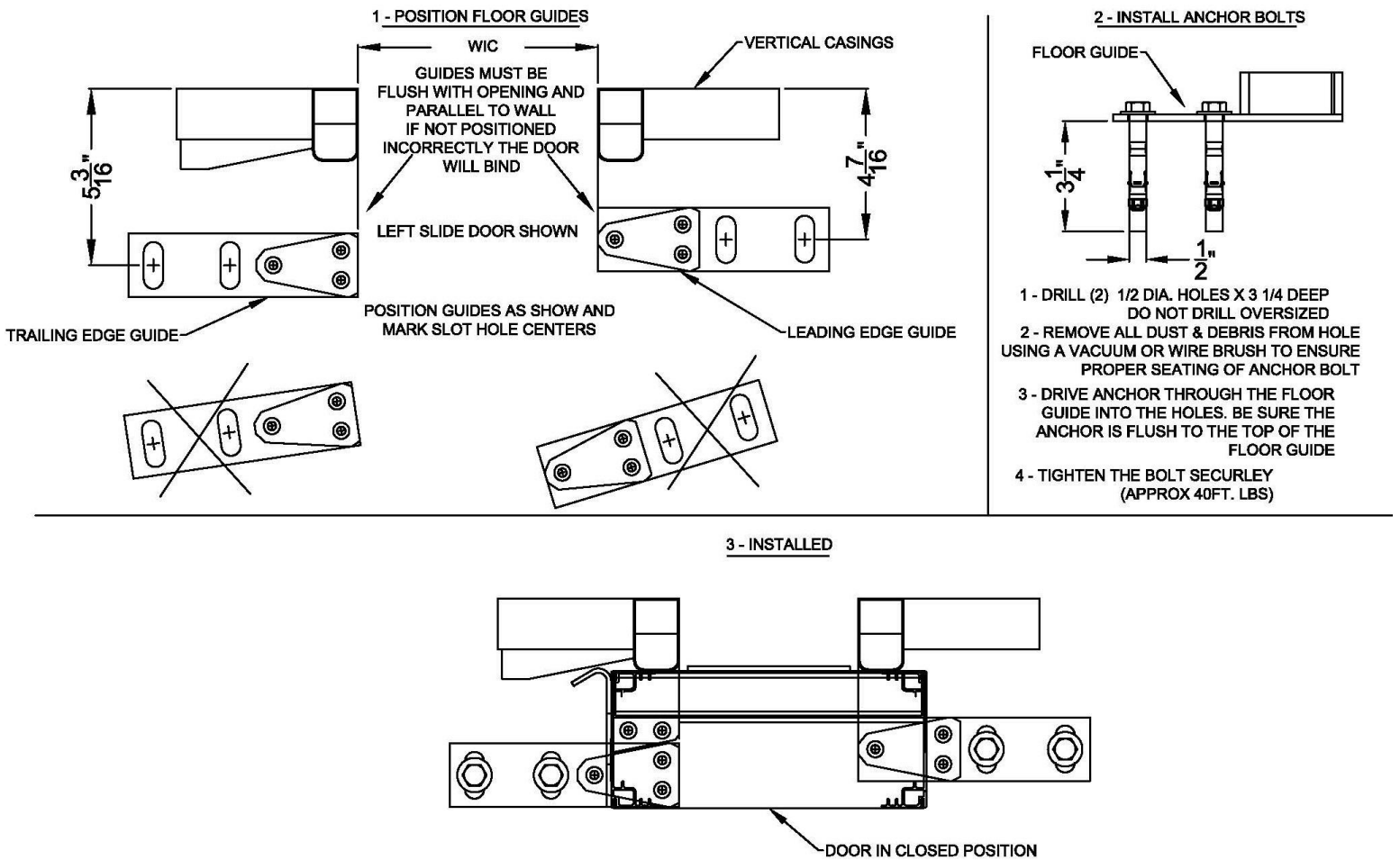


SECTION 4

FLOOR GUIDE - DOOR SEAL ADJUSTMENT

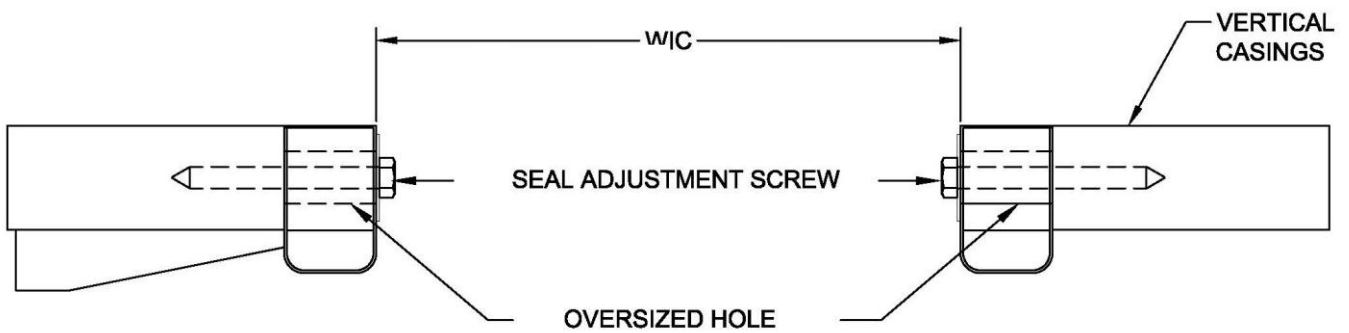
The door panel is held against the vertical casings and the header by the track on top and floor guides located on the bottom of the door. A reinforced door seal fills the gap between the door panel and the vertical casings, and the header. Install floor guides as shown. After installation making sure the belt connection is out of the way move the door to the open and closed position, the door should open and close with very little effort. Slots are provided in the floor guides if adjustment is required. Installation of left slide door shown.

Note: the leading and trailing edge guides are not the same.



## SINGLE AND DOUBLE HORIZONTAL SLIDE

The door panel should depress the casing & head seal approximately 1/8". If it is not then the door seal must be adjusted. To adjust the door seals, place the door in closed position., loosen seal attachment screw on seal(s) not making contact with door(an oversized hole in the seal allows outward movement). Move seal towards door until a door seal compression of 1/8" is achieved. Retighten all door seal attachment screws. Proceed to next location requiring adjustment.



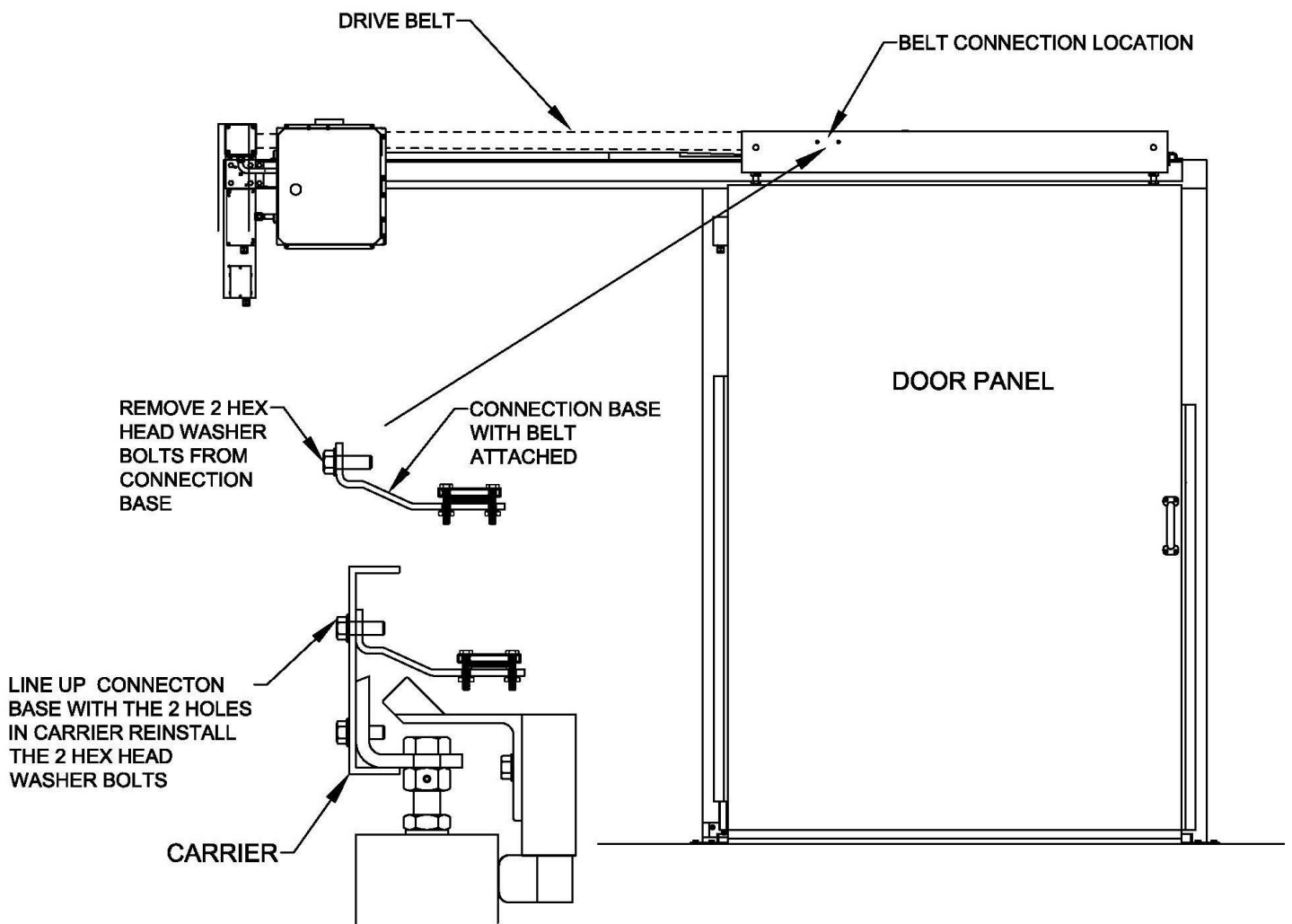
NOTE: If seals need to be re-adjusted, re-caulk around casings and header as required.

## SECTION 5

### BELT ENGAGEMENT

The illustration below shows how the belt attaches to the carrier assy. Move door until carrier contacts door stop. Remove the 2 hex head washer bolts from connection base. Line up connection base with holes in carrier, reinstall the 2 hex head washer bolts. Ensure bolts are tight.

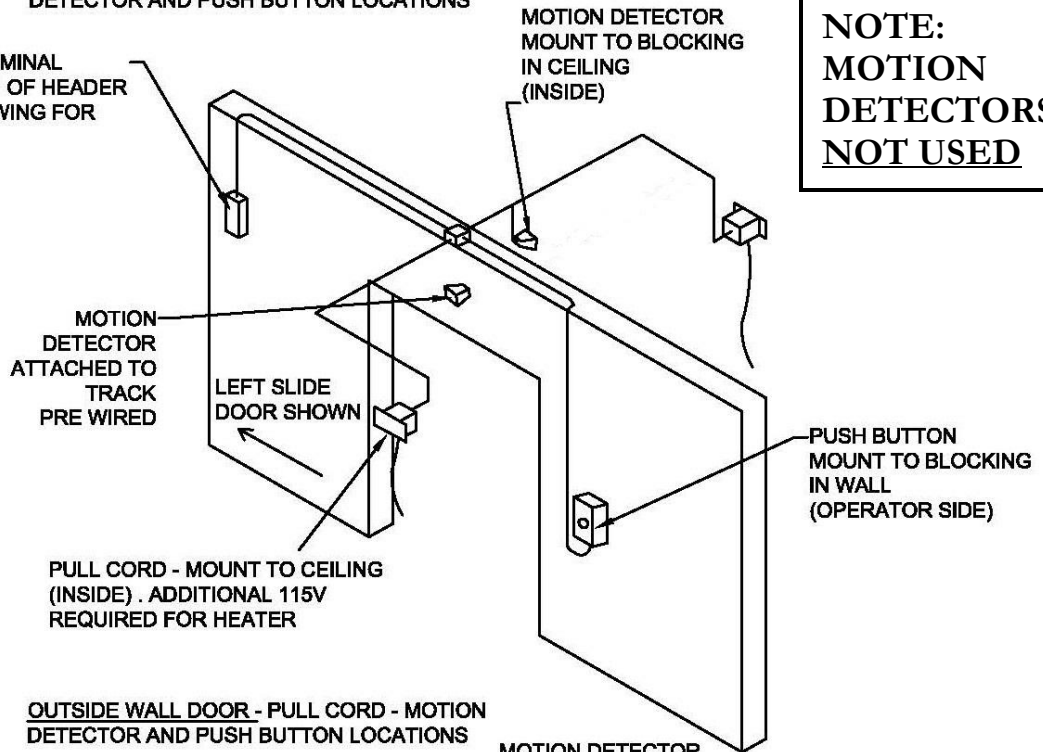
Note: A drive release is not required. To open or close the door manually use the bow handle on the outside of the door or the recessed handle on the inside of the door.



SECTION 6 -ACTIVATION DEVICE LAYOUT

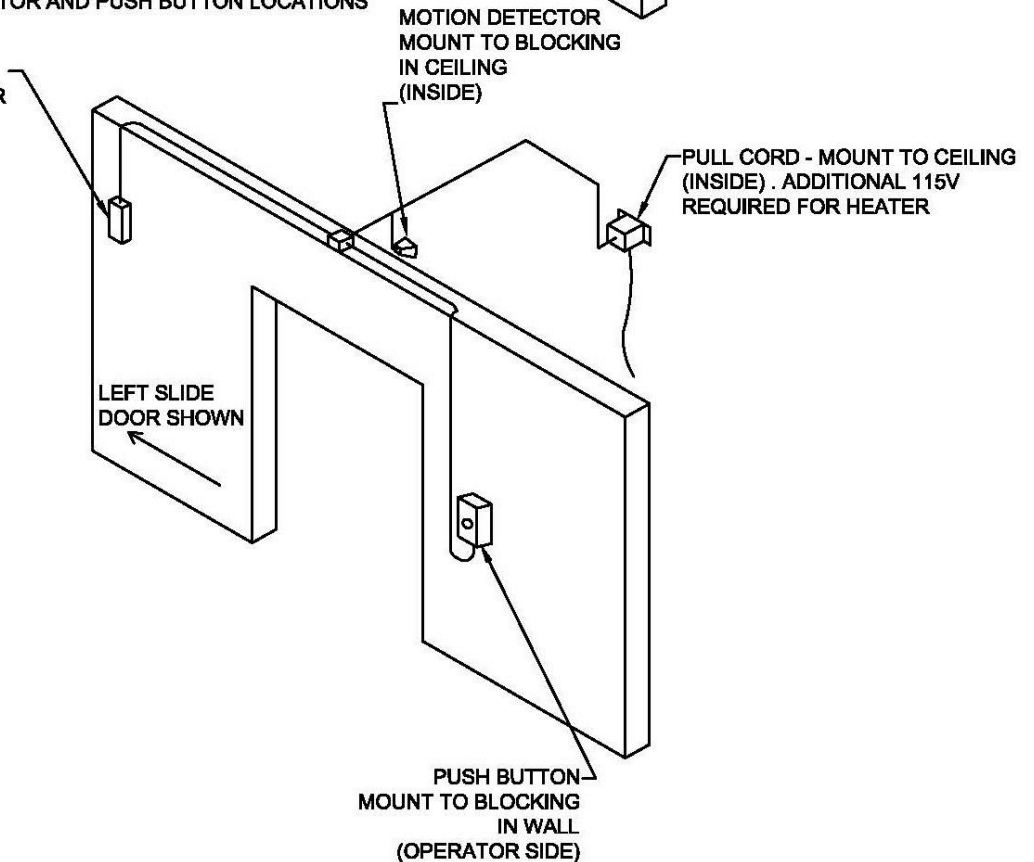
COMMON WALL DOOR - PULL CORD - MOTION DETECTOR AND PUSH BUTTON LOCATIONS

JUNCTION BOX WITH TERMINAL STRIP ATTACHED TO END OF HEADER SEE JUNCTION BOX DRAWING FOR WIRING CONNECTIONS



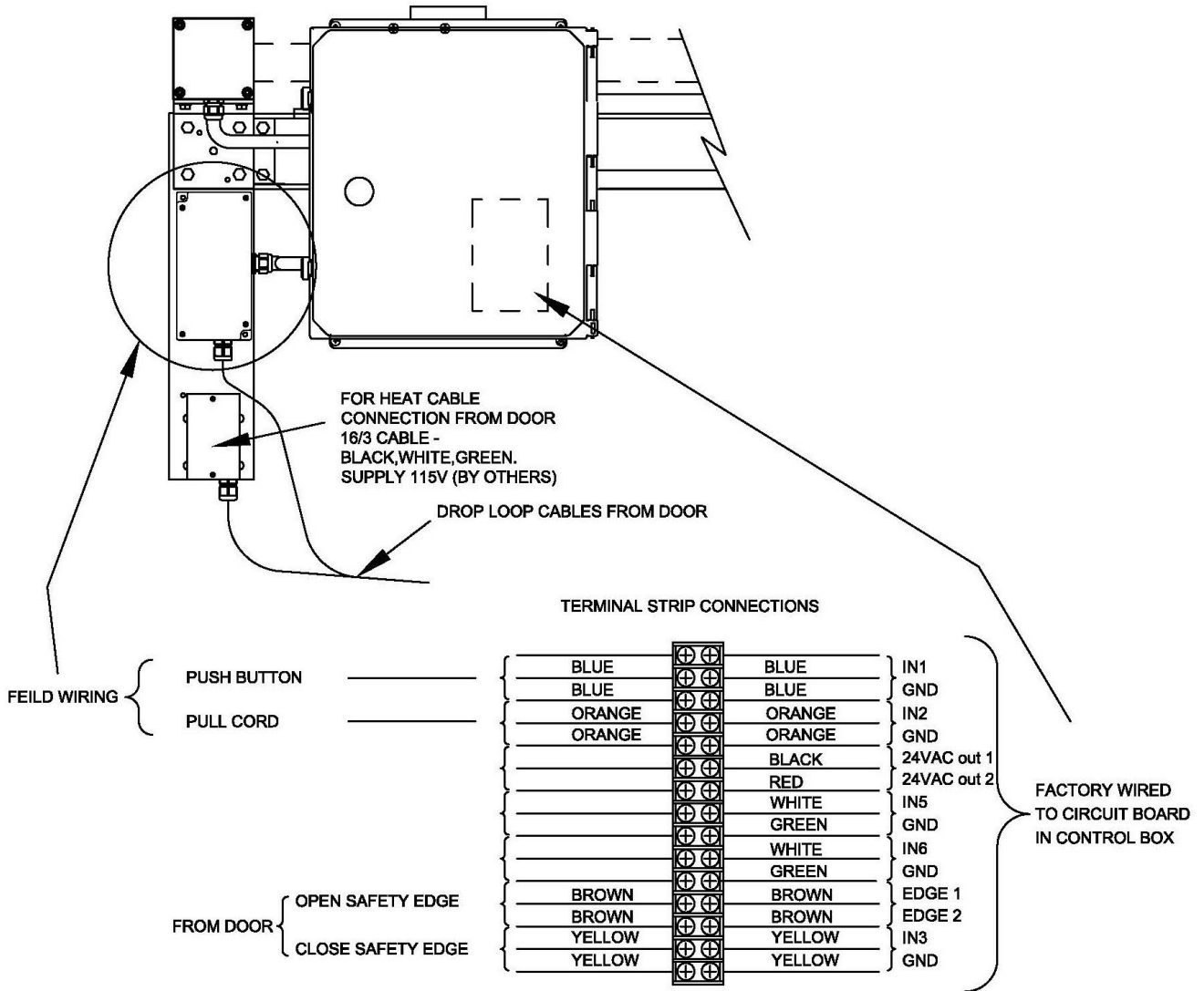
OUTSIDE WALL DOOR - PULL CORD - MOTION DETECTOR AND PUSH BUTTON LOCATIONS

JUNCTION BOX WITH TERMINAL STRIP ATTACHED TO END OF HEADER SEE JUNCTION BOX DRAWING FOR WIRING CONNECTIONS



SECTION 7

HEADER JUNCTION BOX WIRING



HEADER JUNCTION BOX WIRING

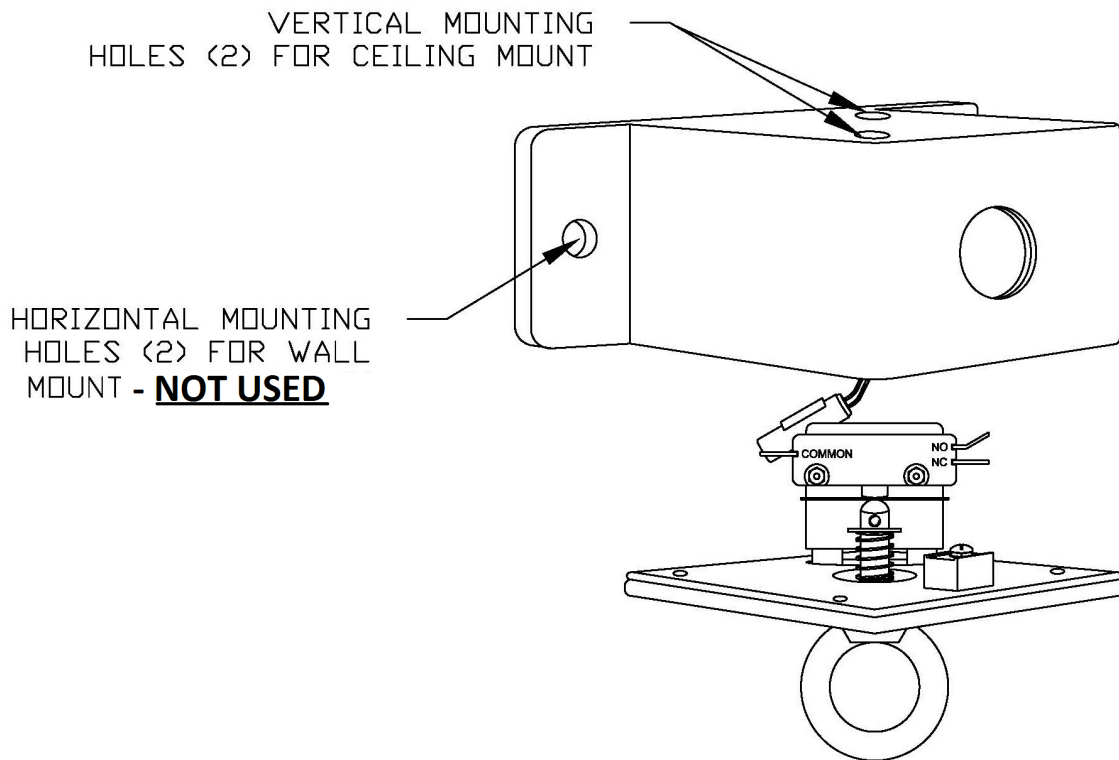
## SECTION 8

### PULL CORD INSTALLATION & WIRING

The doors installed on the outside walls have one pull cord mounted on the inside of the room while the common wall installed doors have two pull cords one on each side of the opening. See activation device drawing for layout page 10

#### **Mounting the pull cord enclosure:**

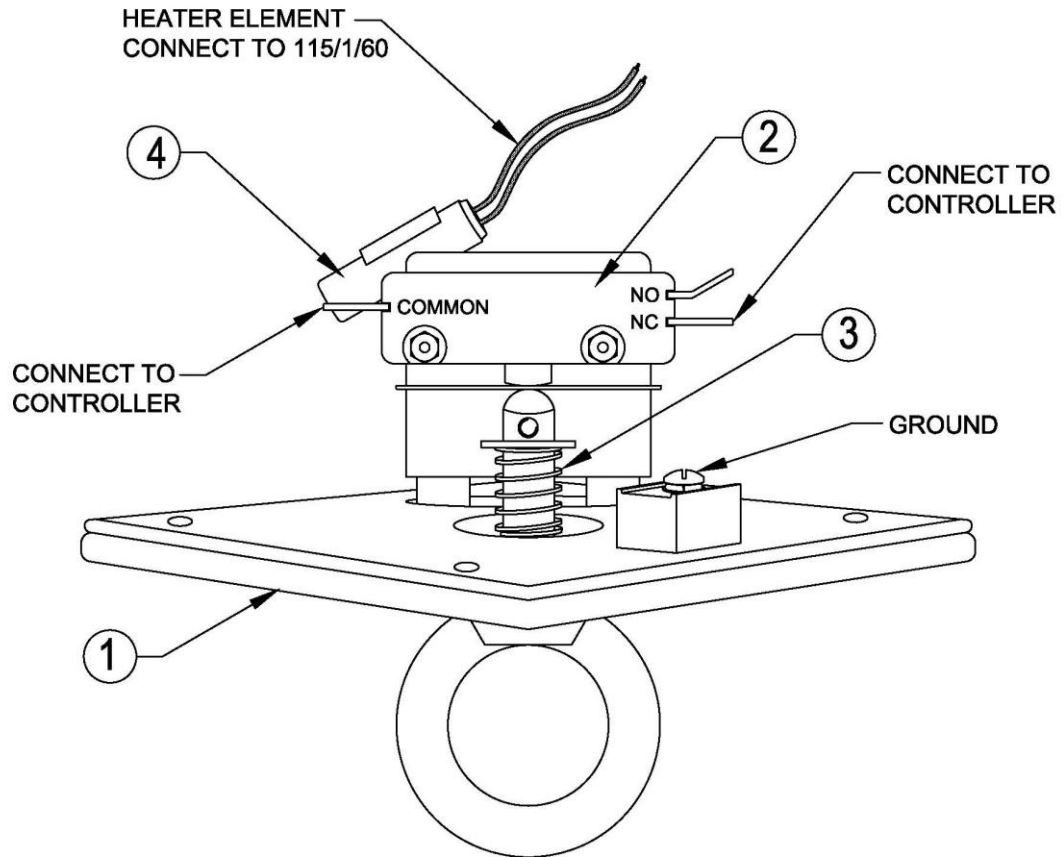
The heated pull cords are ceiling mounted. To mount the Pull cord to the ceiling, remove the pull cord switch cover, and use the existing vertical mounting holes located behind the front plate as shown in the illustration below.



## SINGLE AND DOUBLE HORIZONTAL SLIDE

### Connect the Pull cord as follows:

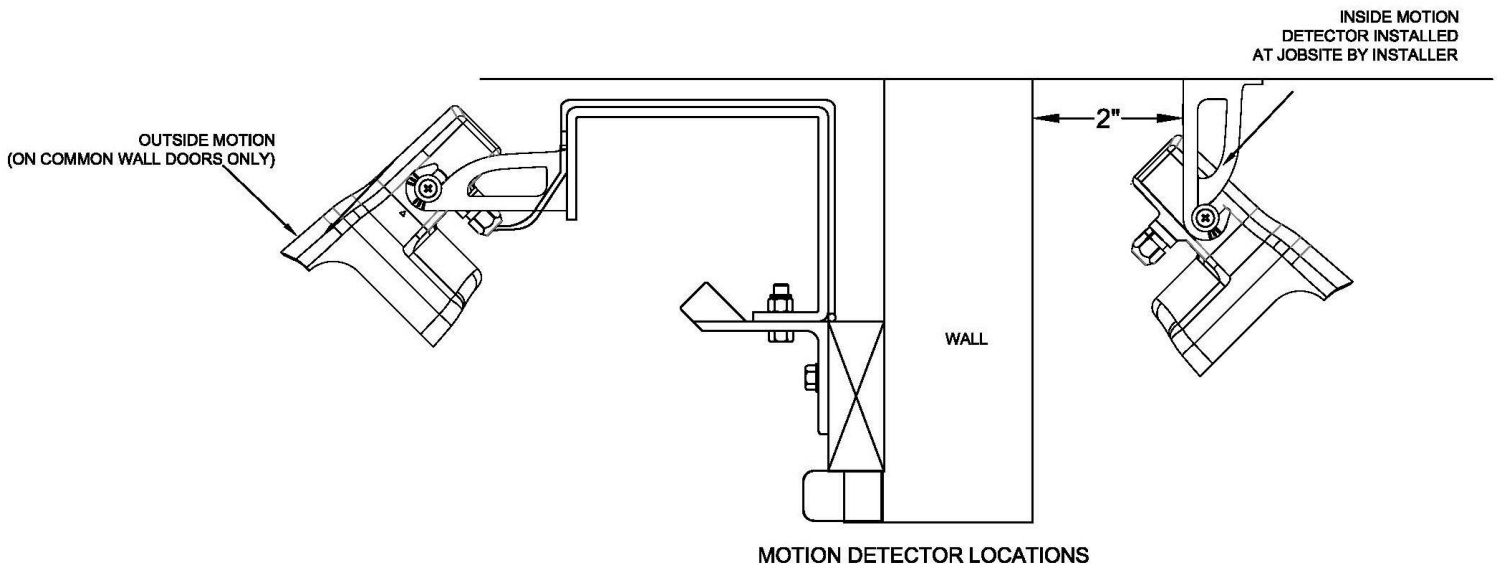
Remove cover from 4"x4" box of pull cord. Connect 115 volt (supplied by others) to the heater element with wire nuts provided. Connect the 2 orange wires supplied with the pull cord switch, to the spade terminals of the micro switch N.C. & COM. Connect other end to the junction box with terminal strip at the end of header. See junction box wiring drawing page 11



## SECTION 9

### MOTION DETECTOR INSTALLATION - NOT USED

The doors installed on the outside walls have one motion detector mounted on the inside of the room while the common wall installed doors have two motion detectors one on each side of the opening. See activation device drawing for layout page 10  
Connect black,white,red and green wires from detector to junction box at end of header see page 11

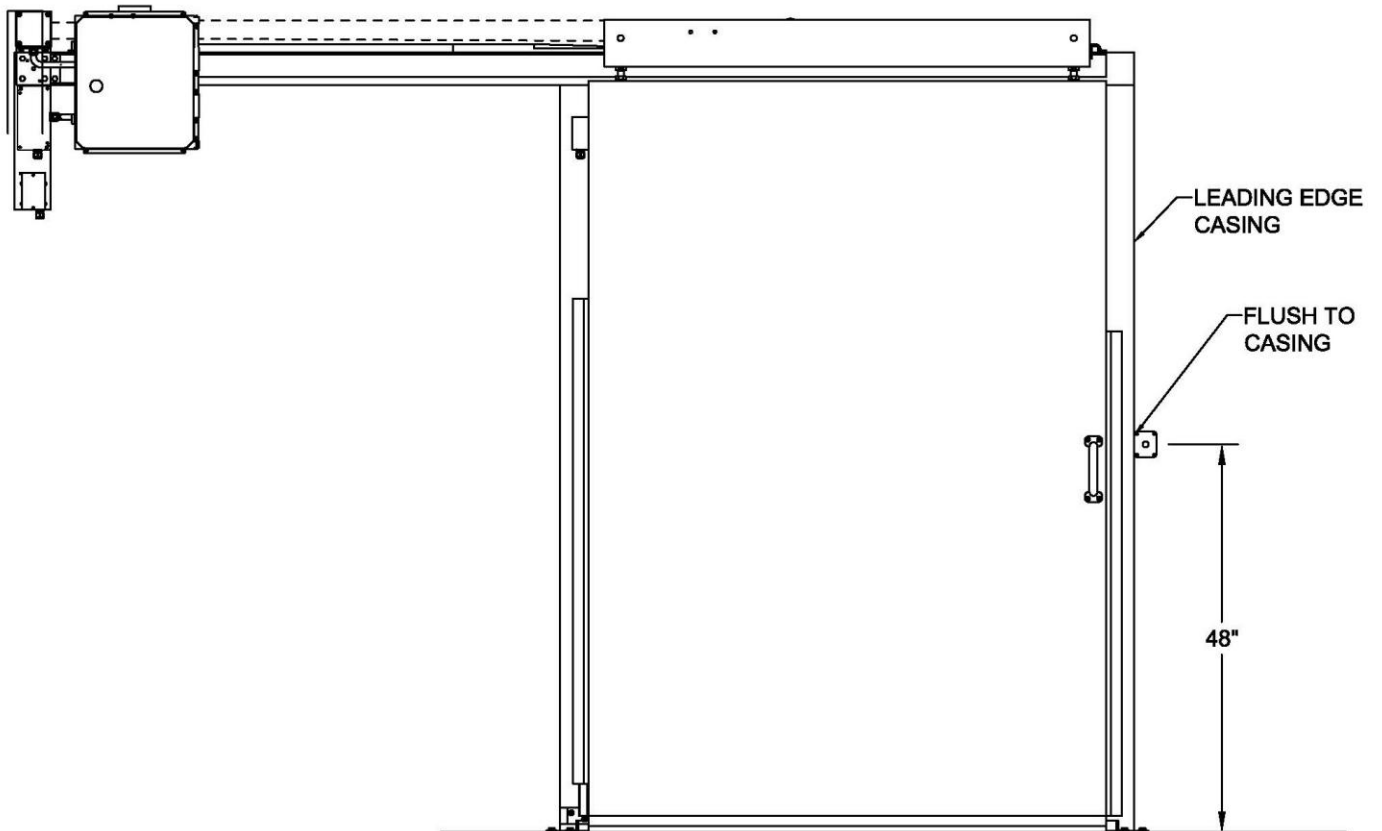




## SECTION 10

### PUSH BUTTOM INSTALLATION

Each door has one push button mounted on the same side as the operator. See activation device drawing for layout page 10. Attach to wall 48" up to center and flush to casing. Connect the two blue wires supplied with the push button switch to the NO. & COM on the switch terminal block. Connect other end to the junction box with terminal strip at the end of header. See junction box wiring drawing page 11

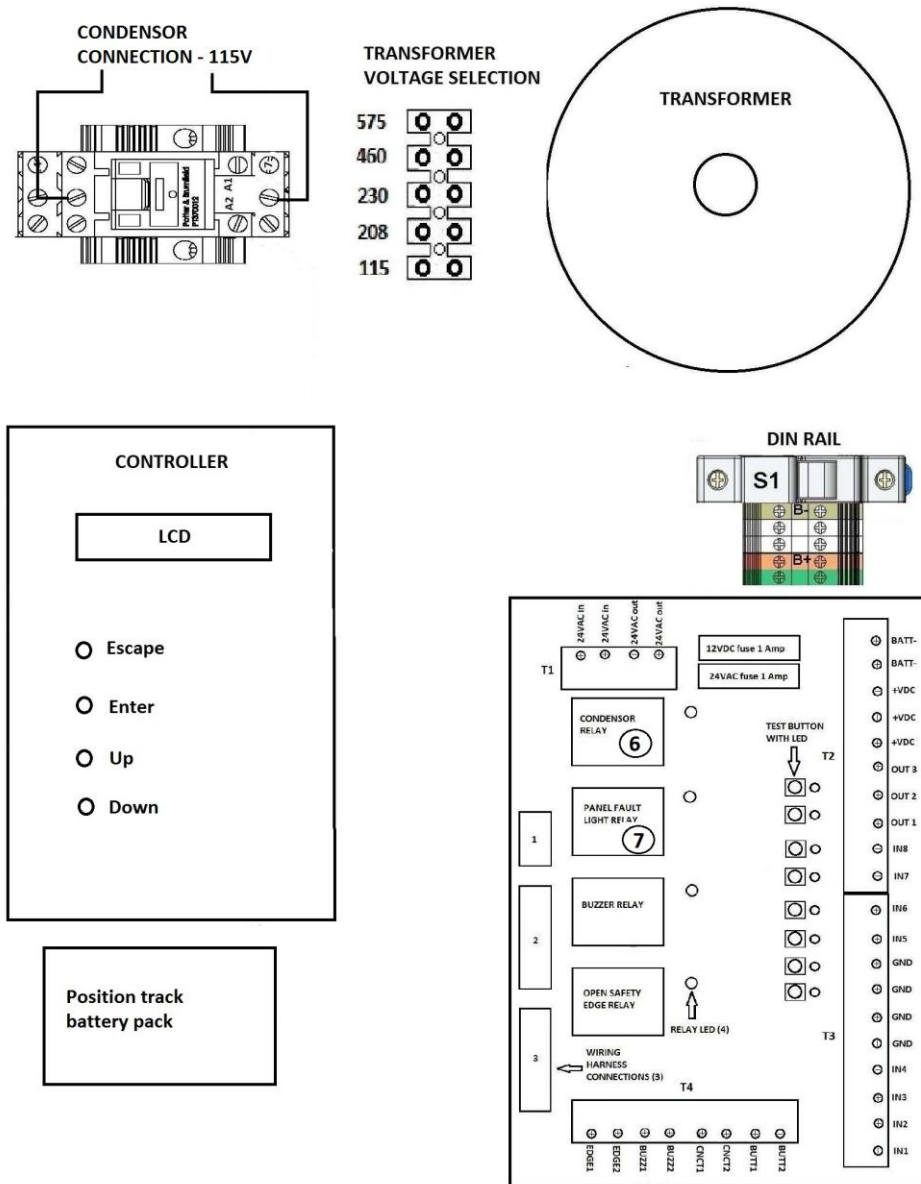


## SECTION 11

### CONDENSER SHUT OFF CONNECTION

Each door is set up for condenser shut off, connect to a relay located in the upper left corner of the control box.

#### CONDENSOR SHUT OFF CONNECTION



## SECTION 12

### ELECTRICAL OPERATOR WIRING

**IMPORTANT: ALL WIRING MUST BE DONE IN ACCORDANCE WITH LOCAL CODES AND BY LICENSED ELECTRICIANS**

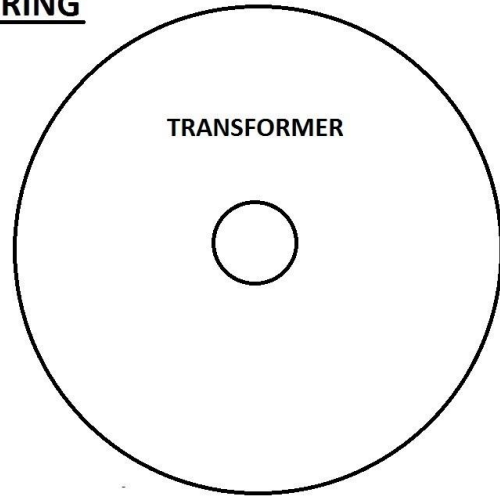
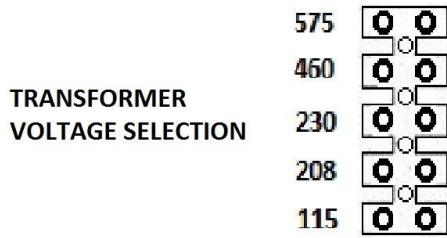
The control box is NEMA 4 – water/dust tight enclosure . The following precautions must be taken to ensure that no moisture will enter box :

Do not bring incoming power into the top of the control box – doing so may void warranty. Bring incoming power into the side or bottom of NEMA 4 control box.

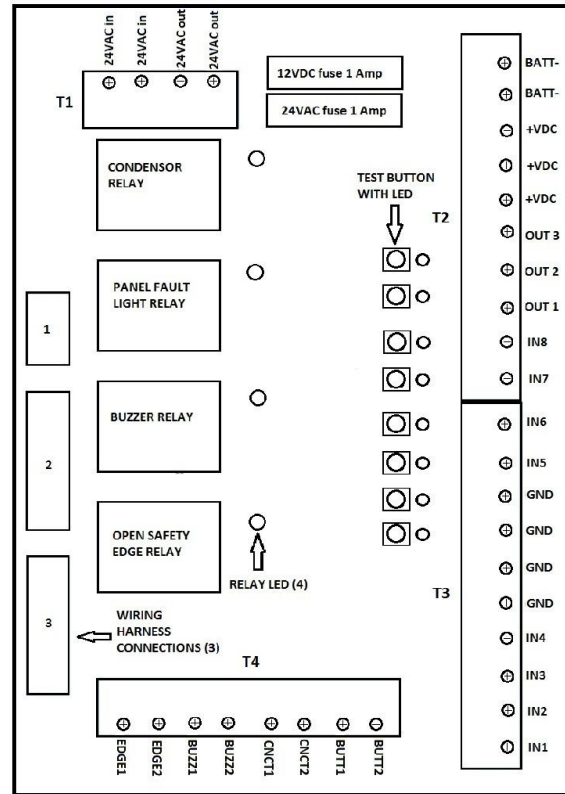
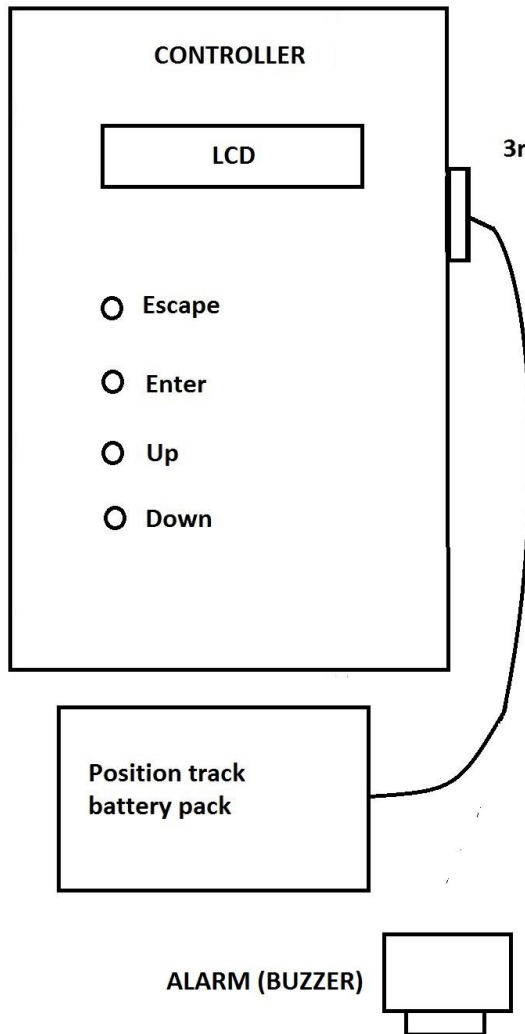
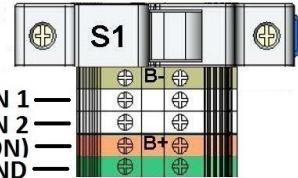
The incoming conduit must have a water-stop seal inside the conduit as well as a watertight connector to bring power into the box. Failure to do so may void warranty.

The control box must be closed and screwed tight after installation and at all times during normal operating conditions.

**CONTROL BOX WIRING**



DIN RAIL



## **SINGLE AND DOUBLE HORIZONTAL SLIDE**

### **WIRING – refer to above control box drawing**

**CAUTION:** Check to see that available supply power (voltage) match the transformer voltage selection.

Make sure door moves freely from open to close position without obstruction or binding before proceeding.

The operator requires a single phase AC power source. In three phase environments connect to one of the three phases. Use any two wires from a three phase source, connect primary power to inputs labeled “AC in L1” and “AC in L2”, and the third phase will go to “NULL (3 phase AC)”

Before turning on power the motion detectors must be disabled as they could interfere with the calibration of the door. This is done by unplugging the “E” connector.

### **POWER ON AND CALIBRATION**

1) – Plug position track connector to “B” on side of controller.

With door in closed position and connected to belt turn power on and proceed as follows.

2) – From the main screen on controller, press DOWN button until the LCD displays “Calibrate Now”

3) – Press the ENTER button once. The LCD displays “Jog door open”. Press ENTER.

4) – Hold the UP button until the door is approx 1” in front of the open end stop, release button. Press Enter.

5)- The LCD displays “Jog door closed”. Press ENTER.

6)- Press and hold the DOWN button until the door contacts the closed end stop.

7) – Press the ENTER button. The LCD will display “Door size stored, cycle the complete”

8) – The operator now requires an uninterrupted full open, followed by an uninterrupted close cycle. This is done by either using the push button or pull cord to activate door, the door will open fully time itself out (20 seconds) and close. Once complete the LCD screen will display “Calibration Done”

Plug the “E” connector back in the controller to activate the motion detectors.

## SECTION 13

### DOOR OPERATING & SAFETY FUNCTIONS

Time delay close - the door has a time delay that will keep the door open for 20 seconds before automatically closing

Alarm (buzzer) – will sound as door opens and shut off when full open. Will sound 4 seconds before the 20 second timer has expired and shut off when door is closed. Alarm is installed and per wired at factory, located at bottom of control box.

Pull cords – if the door is closed it will open door, time out and close. If door is open and activated it will reset timer, time out and close. If activated while closing it will re open door time out and close.

Push button – if the door is closed it will open door, time out and close. If door is open and activated it will reset timer, time out and close. If activated while closing it will re open door time out and close.

Motion detectors – if door is closed it will open door if detection field is entered, time out and close. If door is open and activated it will reset timer, time out and close. If activated while closing it will re open door time out and close.

Closing safety edge – located on the leading edge of door, if the door is closing and comes in contact with an obstruction it will reverse door to open position time out and close.

Open safety edge - located on the trailing edge of door, if the door is opening and comes in contact with an obstruction it will stop. At this point as long as the obstruction is removed by activating either the pull cord or motion detector the door will move to open position time out and close.

Condenser shut off – will turn off when door reaches full open position, will turn on when door reaches full closed position.

40 Day position track will maintain open/close limit settings in memory for up to 40 days after a power loss. Batteries will recharge once power is returned .

## SECTION 14

### Fault codes (front panel light)

Number of flashes	Fault	Cause	Action
Always on	None	Normal operation	None
2	Obstruction sensing	If 3 times in a row the door comes into contact with an obstruction it will open and stay open	Activate the push button or pull cord to reset
3	Emergency Stop	Open safety edge has been activated	Activate push button or pull cord to reset
4	Open collision	Door has hit something on open or could not move from closed position	Manually operate door and check for obstructions or binding. Activate push button or pull cord to reset
5	Door lock	(not used)	
6	Calibration Error	Incorrect calibration	Turn power off to operator for 20 seconds and recalibrate door - see page 19
7	System fault		Turn power off to operator for 20 seconds. Turn back on.

SECTION 15

TROUBLE SHOOTING

Problem	Probable Cause	Remedy or Check
Door will not operate	1 - No power to door 2 - Pull cord switch failure 3 - Fuse blown 4 - Transformer plug disconnected	1 - Ceck main power to control panel 2 - Check pull cord wires for continuity 3 - Check fuse 4 - Make sure plug "G" is properly seated in the controller.
Door will open but not close	1 - Motion detector detecting objects 2 - Stuck pull cord	1 - Move object from detection area 2 - Repair or replace pull cord switch
Door under or over	1 - Something disturbed the timing between the door panel and motor encoder	1 - Recalibrate door
Display shows calibration error	1 - Motor or encoder cable unhooked 2 - Motor or encoder defective 3 - Input signal toggled during calibration cycle	1 - Make sure plugs C and H are porperly seated in controller 2 - Check motor wiring and ecdoder outputs 3 - Recalibrate door
Open obstruction	1 - Mechanical binding	1 - Check for mechanical binding of door or drive system

If you can not resolve the difficulty call “Service Engineer” at 905-476-8948.





 CROWNTONKA®  ICS™  LOTEMP DOORS™  PREPRITE®  THERMALRITE®

Proud to be family-owned.